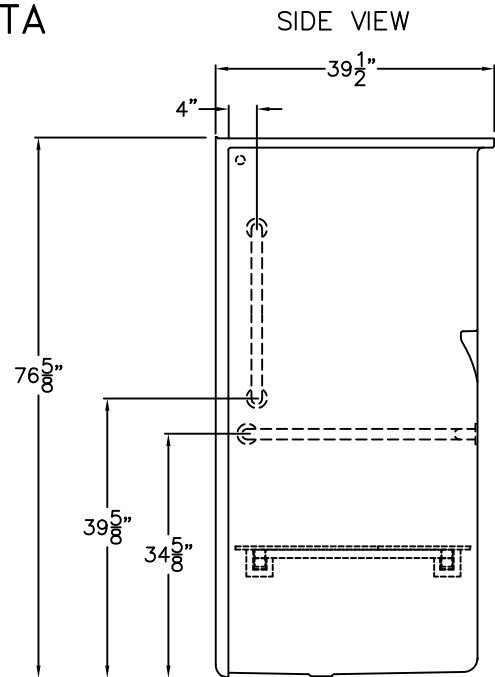
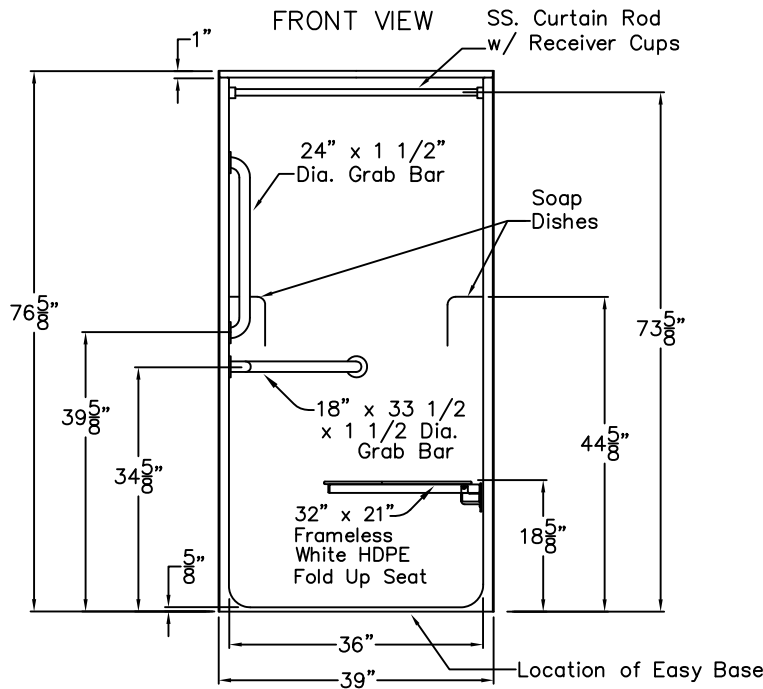


SPECIAL NEEDS SERIES

SUBMITTAL DATA



Transfer Shower Stall

The shower enclosure shall be Laurel Mountain Model LM 3698 BF left. Finished surface shall be of a sanitary-grade applied acrylic.

The unit shall have outside dimensions of 39" x 39 1/2" x 76 5/8".

The unit shall meet IAPMO Z124-2011, CSA B45.5-11, ANSI A117.1, ADA, and Home Innovation Research Lab.

HANDED BY THE VALVE WALL. RIGHT SHOWN, LEFT AVAILABLE.

The enclosure shall be equipped with the following installed accessories:

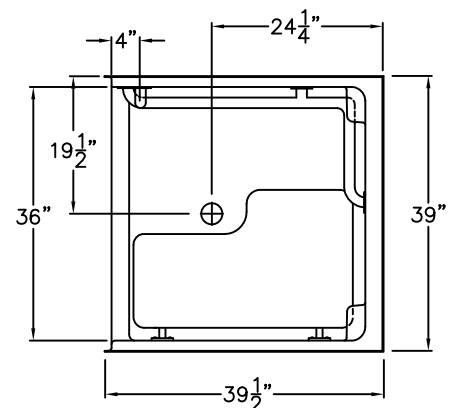
- 1) One 18" x 33 1/2" x 1 1/2" diameter, stainless steel horizontal L-grab bar,
- 2) One 24" x 1 1/2" diameter vertical grab bar both with 1 1/2" statute clearance, mounted with stainless steel bolts, and secured from the rear with 3" x 3" x 11 gauge metal mounting plates,
- 3) Molded soap dishes,
- 4) 32" x 21" frameless white HDPE fold up seat,
- 5) One inch diameter, 18 gauge stainless steel curtain rod with receiver cups,
- 6) Factory installed Armor Core Easy Base,
- 7) Tri-Cell backing,
- 8) 5/8" threshold.

Available Options:

- 1) Green shower curtain, anti-bacterial, and hooks,
- 2) White shower curtain and hooks.
- 3) valve package includes, control valve, hand shower with 60" flex hose, 24" side bar, swivel connector and wall fitting.

NOTE: THIS UNIT WILL NOT ACCEPT A DOOR!

TOP VIEW



DUE TO THE NATURE OF THE MATERIALS DIMENSIONS MAY VARY ± 1/2"

LAUREL MOUNTAIN

Drawing#: LM 3698 BF .625 SB VB FHDP CR Easy Base

Date: 5-30-07

Revised: 5-22-17

